

SURFACE MOUNT INSTALLATION GUIDE

NOTICE:

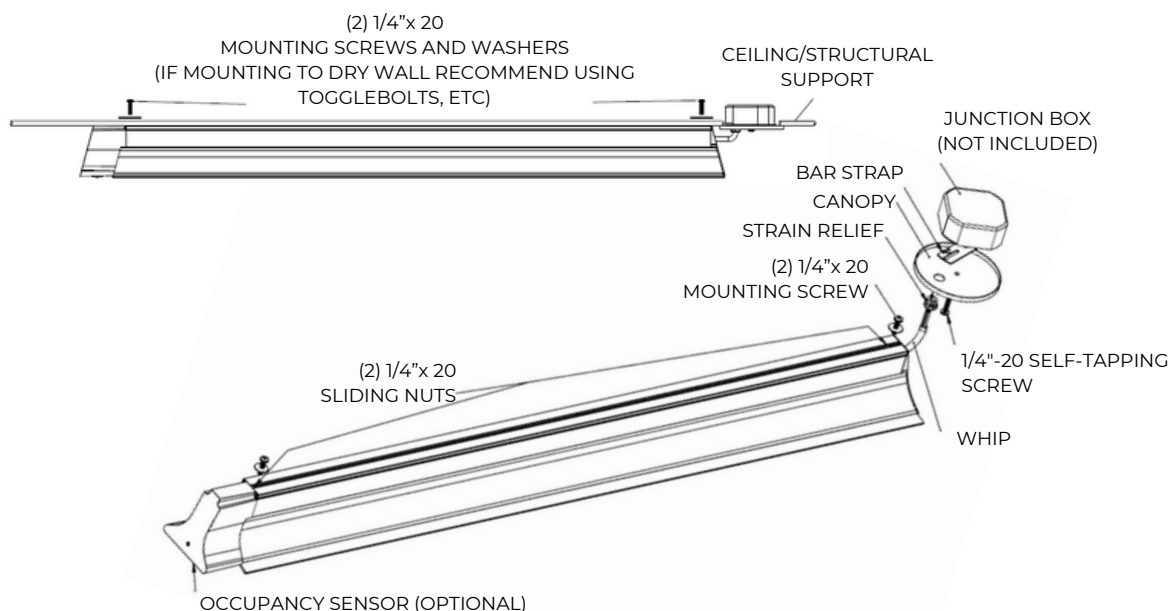
- For correct installation, a qualified electrician should install this product.
- Before installation of any luminaire onto an electrical junction box, be sure to disconnect power.
- This luminaire must be wired and grounded in accordance with the National Electrical Code, local codes, and ordinances.
- Wire supply connections must be made with UL approved connectors.
- Confirm that luminaire and supply voltage are the same.

CAUTION:

- FIXTURE WEIGHT APPROXIMATELY 10 LBS.
- CONTRACTOR REQUIRED TO PROVIDE APPROPRIATE STRUCTURAL SUPPORT (JUNCTION BOXES, CEILING TILE BRIDGE, FRAMING, ETC) FOR FIXTURE TO MEET LOCAL CODE REQUIREMENTS.
- EXERCISE SPECIAL CARE AND SAFETY WHILE INSTALLING AND SERVICING LUMINAIRE.
- USE OF SOFT GLOVES AND PADDED MATERIALS ARE RECOMMENDED DURING HANDLING TO AVOID MARRING THE FINISH.
- COMPONENTS MAY BE CLEANED WITH SOFT DAMP OR DRY CLOTH.

INSTRUCTIONS:

1. Disconnect electrical lighting circuit (at breaker panel).
2. Secure fixture to appropriate structural support using the (2) supplied 1/4"-20 screws and sliding nuts assembled in the fixture. Please check all local codes before installation. (If mounting to drywall recommend the use of toggle bolts, etc.)
(mounting solely to ceiling tile is HIGHLY discouraged**)**
3. Attach the supplied bar strap to the junction box (not included) with (2) appropriately sized machine screws.
4. Feed whip through the strain relief, press-fit strain relief into the canopy.
5. DO NOT attach canopy and cable to the bar strap until wiring is complete.
6. Connect the fixture to source AC wiring: Using UL listed wire connectors: connect the neutral (white) wire to the supply neutral, connect the luminaire line wire (black) to the supply line wire and connect the ground (green) wire to the supply ground.
7. Connect the fixture 0-10V dimming to source dimming wiring: Using UL listed wire connectors: connect the fixture blue wire to the dimmer violet wire, connect the fixture brown to the dimmer gray wire.
8. Inspect wire connections.
9. Secure canopy to the bar strap with the supplied 1/4"-20 x 1" self-tapping screw.
10. Restore power to the lighting circuit and test installation.
11. Enjoy your new luminaire!



UNISTRUT INSTALLATION GUIDE

NOTICE:

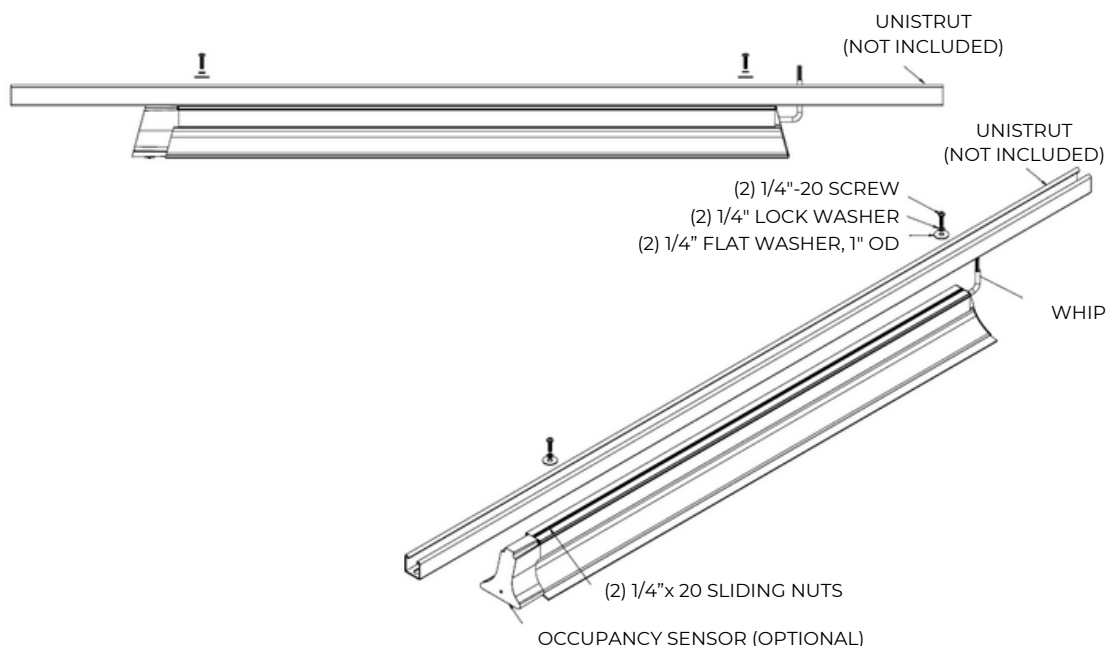
- For correct installation, a qualified electrician should install this product.
- Before installation of any luminaire onto an electrical junction box, be sure to disconnect power.
- This luminaire must be wired and grounded in accordance with the National Electrical Code, local codes, and ordinances.
- Wire supply connections must be made with UL approved connectors.
- Confirm that luminaire and supply voltage are the same.

CAUTION:

- FIXTURE WEIGHT APPROXIMATELY 10 LBS.
- CONTRACTOR REQUIRED TO PROVIDE APPROPRIATE STRUCTURAL SUPPORT (JUNCTION BOXES, CEILING TILE BRIDGE, FRAMING, ETC) FOR FIXTURE TO MEET LOCAL CODE REQUIREMENTS.
- EXERCISE SPECIAL CARE AND SAFETY WHILE INSTALLING AND SERVICING LUMINAIRE.
- USE OF SOFT GLOVES AND PADDED MATERIALS ARE RECOMMENDED DURING HANDLING TO AVOID MARRING THE FINISH.
- COMPONENTS MAY BE CLEANED WITH SOFT DAMP OR DRY CLOTH.

INSTRUCTIONS:

1. Disconnect electrical lighting circuit (at breaker panel).
2. Secure fixture to structural supported Unistrut using the supplied hardware and sliding nuts assembled in the fixture. Please check all local codes before installation.
3. Insert the 1/4"-20 screw through the 1/4" lock washer and 1/4" x 1.0" dia. washer into the integrated sliding nut on the top side of the luminaire. Repeat as necessary for fixture length. (MIN: 2 locations)
4. Feed whip through a slot in Unistrut.
5. Run wiring along inside of Unistrut to the junction box (not included). Refer to local building and electrical codes.
6. Connect the fixture to source AC wiring, using UL listed wire connectors: connect the neutral (white) wire to the supply neutral, connect the luminaire line wire (black) to the supply line wire, and connect the ground (green) wire to the supply ground.
7. Connect the fixture 0-10V dimming to source dimming wiring, using UL listed wire connectors: connect the fixture blue wire to the dimmer violet wire, connect the fixture brown to the dimmer gray wire.
8. Inspect wire connections.
9. Restore power to the lighting circuit and test installation.
10. Enjoy your new luminaire!



PENDANT INSTALLATION GUIDE

NOTICE:

- For correct installation, a qualified electrician should install this product.
- Before installation of any luminaire onto an electrical junction box, be sure to disconnect power.
- This luminaire must be wired and grounded in accordance with the National Electrical Code, local codes, and ordinances.
- Wire supply connections must be made with UL approved connectors.
- Confirm that luminaire and supply voltage are the same.

CAUTION:

- FIXTURE WEIGHT APPROXIMATELY 10 LBS.
- CONTRACTOR REQUIRED TO PROVIDE APPROPRIATE STRUCTURAL SUPPORT (JUNCTION BOXES, CEILING TILE BRIDGE, FRAMING, ETC) FOR FIXTURE TO MEET LOCAL CODE REQUIREMENTS.
- AVOID INSTALLING THIS FIXTURE NEAR AREAS OF HIGH AIR MOVEMENT (HVAC VENTS, DOORWAY, WINDOWS, ETC.) TO MINIMIZE FIXTURE SWAY.
- DO NOT FEED EXCESS AIRCRAFT CABLE INTO FIXTURE OR JUNCTION BOX WHERE ELECTRIC WIRES ARE LOCATED.
- EXERCISE SPECIAL CARE AND SAFETY WHILE INSTALLING AND SERVICING LUMINAIRE.
- USE OF SOFT GLOVES AND PADDED MATERIALS ARE RECOMMENDED DURING HANDLING TO AVOID MARRING THE FINISH.
- COMPONENTS MAY BE CLEANED WITH SOFT DAMP OR DRY CLOTH.

INSTRUCTIONS:

1. Disconnect electrical lighting circuit (at breaker panel).
2. Secure fixture to appropriate structural support. Please check all local codes before installation. (If mounting to drywall, recommend the use of toggle bolts, etc. for non-powered end) (**mounting solely to ceiling tile is HIGHLY discouraged**)
3. Attach the bar strap to the junction box (not included) with (2) appropriately sized machine screws.
4. Feed whip through strain relief; press fit strain relief into the canopy.
5. DO NOT attach the canopy and cable to the bar strap until the wiring is complete.
6. Connect the fixture to source AC wiring: Using UL listed wire connectors: connect the neutral (white) wire to the supply neutral, connect the luminaire line wire (black) to the supply line wire, and connect the ground (green) wire to the supply ground.
7. Connect fixture 0-10V dimming to source dimming wiring: Using UL listed wire connectors: connect the fixture blue wire to the dimmer violet wire, connect the fixture brown wire to the dimmer gray wire.
8. Inspect wire connections.
9. Secure canopy using the threaded end of the cable assembly and attaching it to the stud in the bar strap.
10. Install non-powered side cable assembly using 1/4-20 self-tapping screw, hex lock nut, and wide washer down through ceiling structure. Please refer to local code for load requirements.
11. Level the fixture using cable grippers.
12. Use cable stays to secure whip to aircraft cable
13. Restore power to the lighting circuit and test installation.
14. Enjoy your new luminaire!

